

ReliaGear™ neXT Panelboard

Submetering Instruction Sheet

WARNING

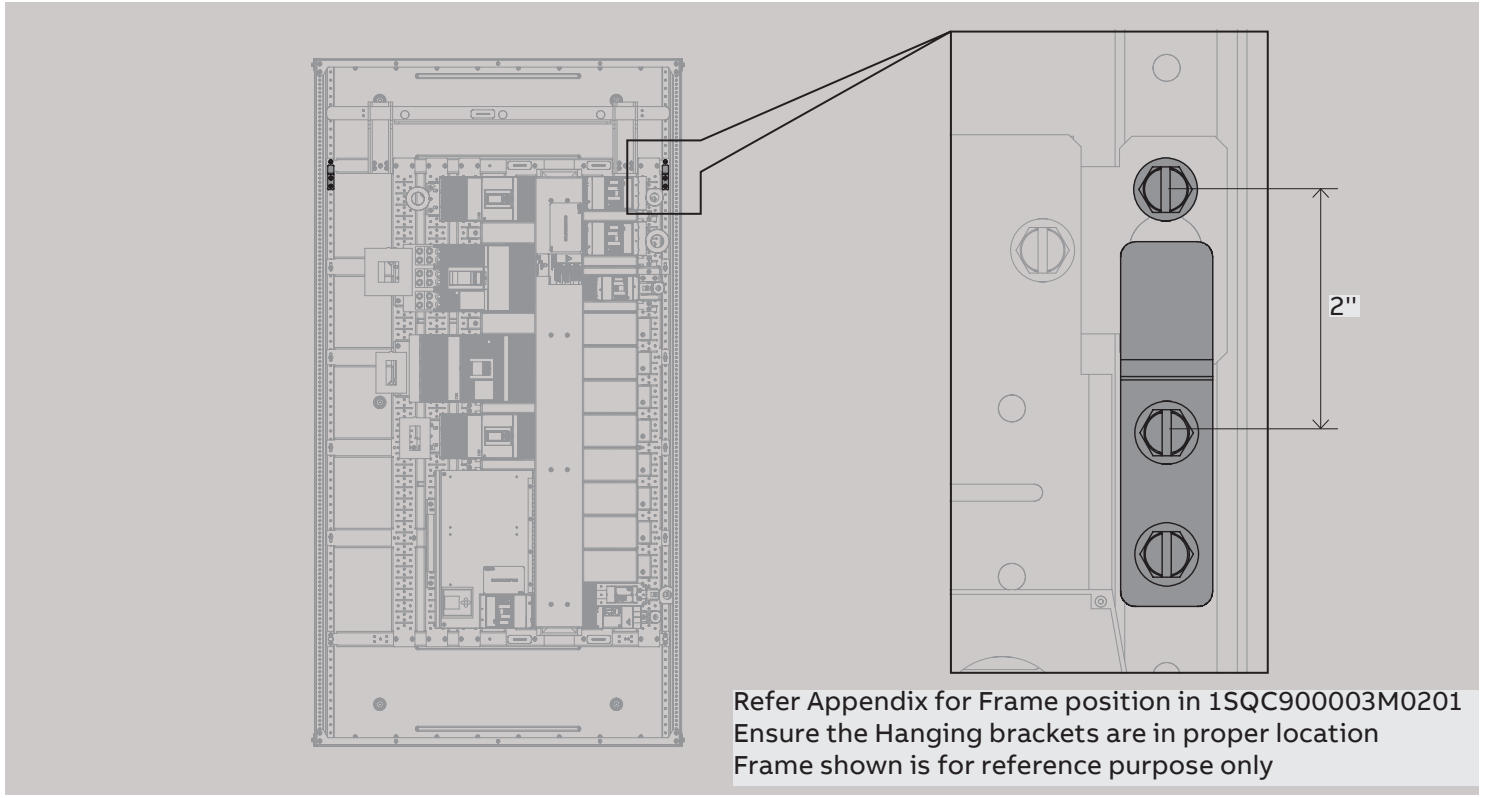
Danger of electrical shock or injury. Turn OFF power ahead of the panel board or switchboard before working inside the equipment or removing any component. Equipment is to be installed and maintained by properly trained and qualified personnel only.



<p>A</p>		<p>1X</p>
<p>B</p>		<p>14X</p>

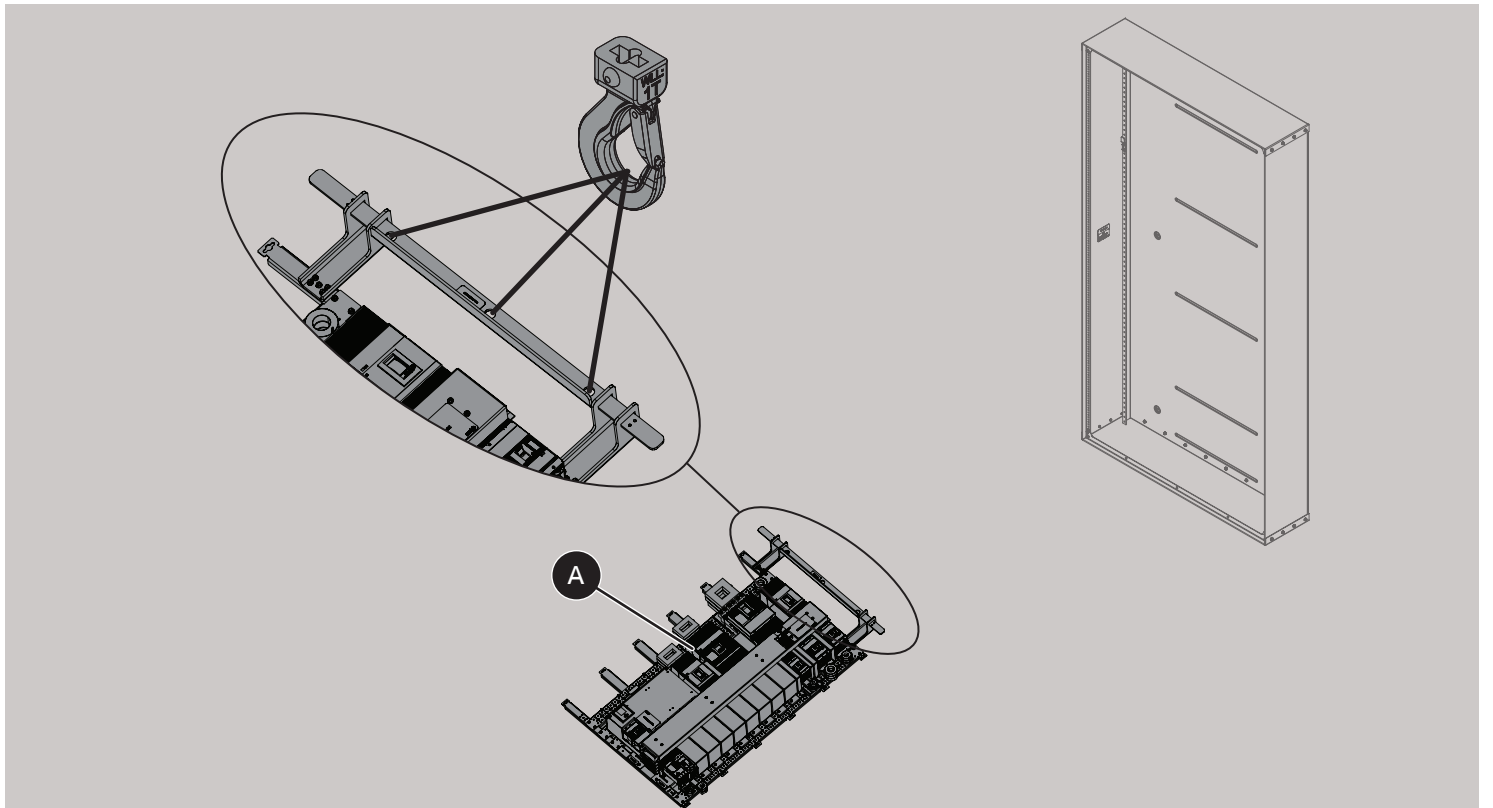
1

Hanging bracket reference



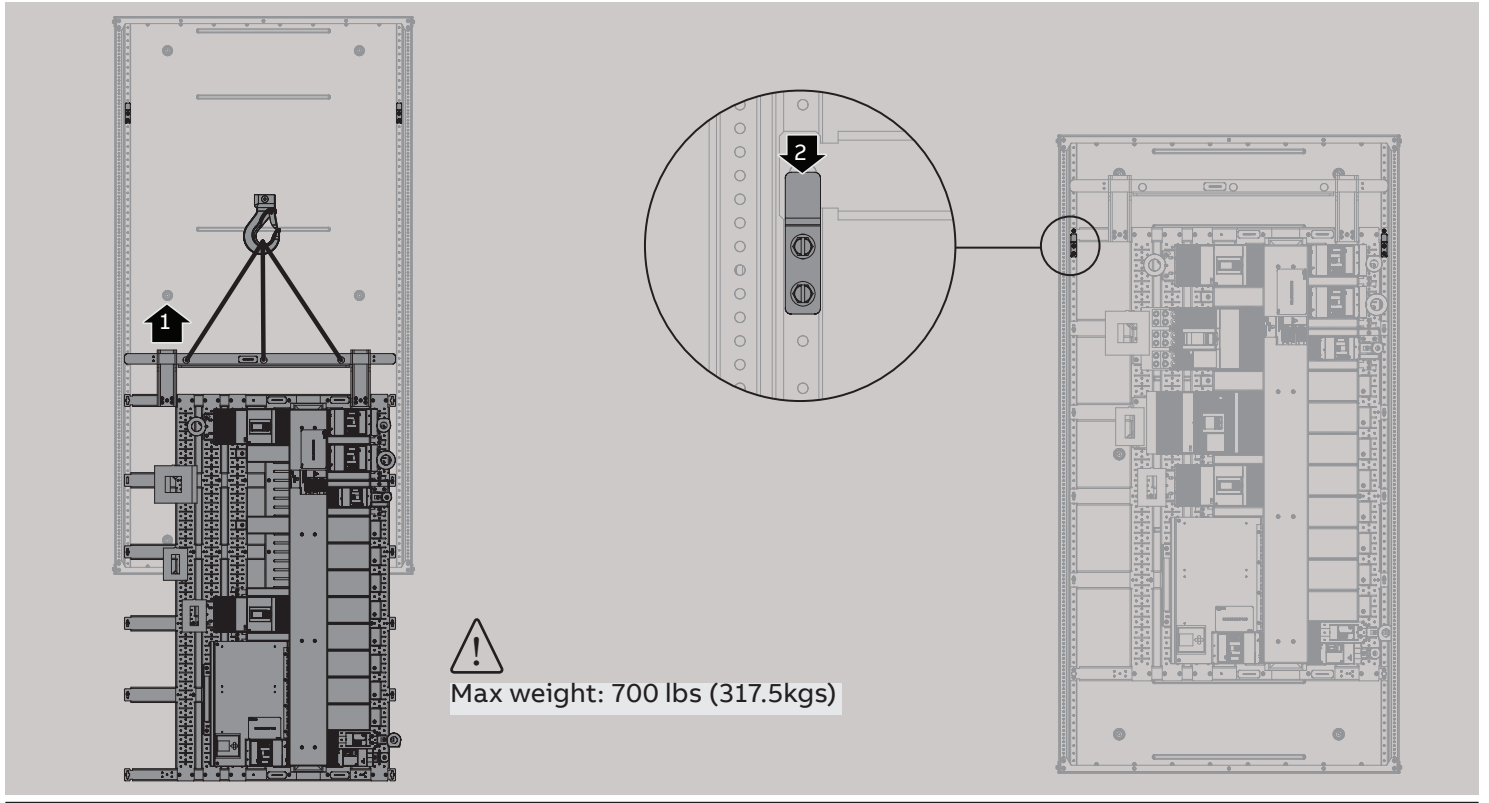
2

Interior assembly

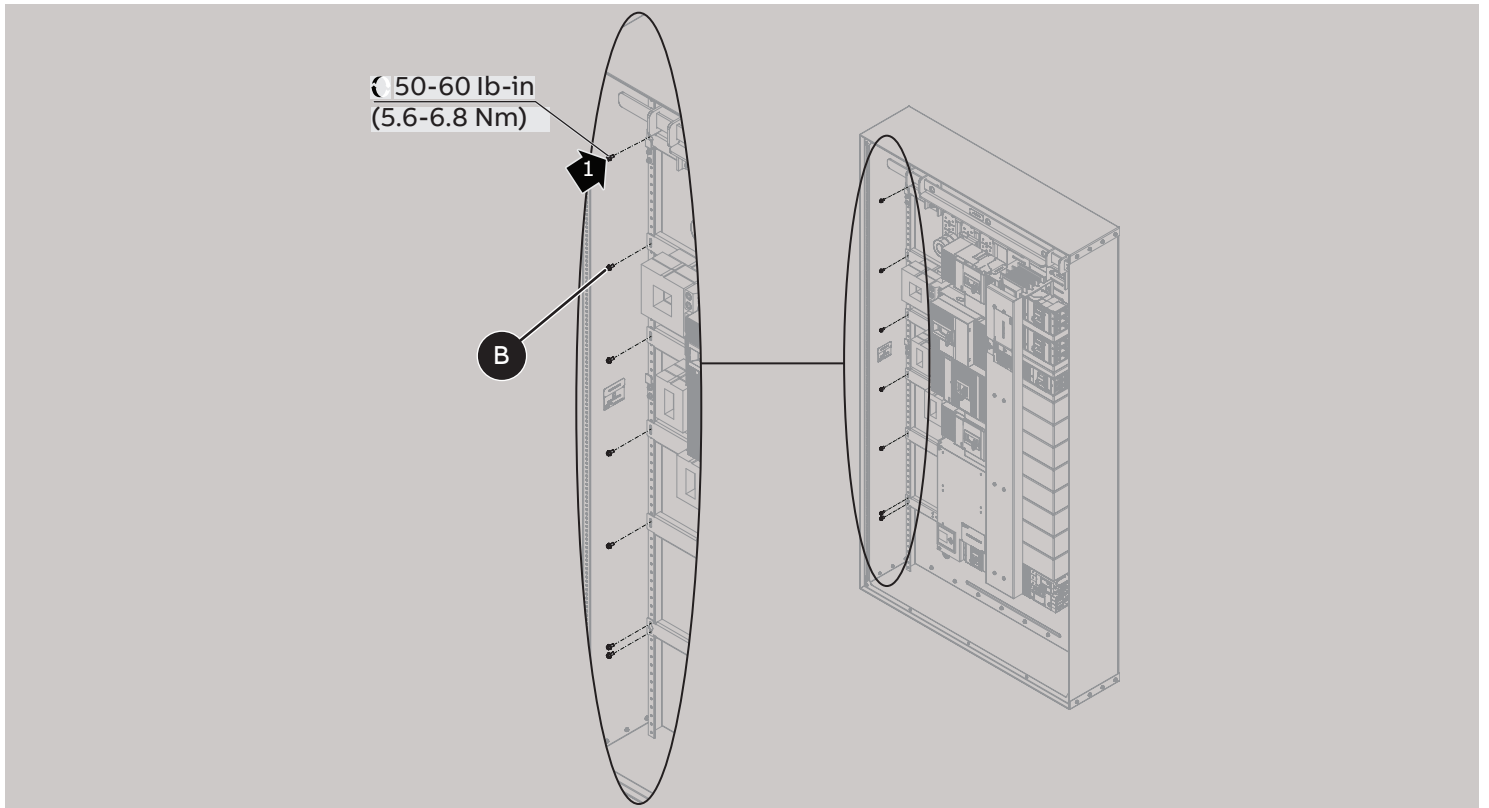


3

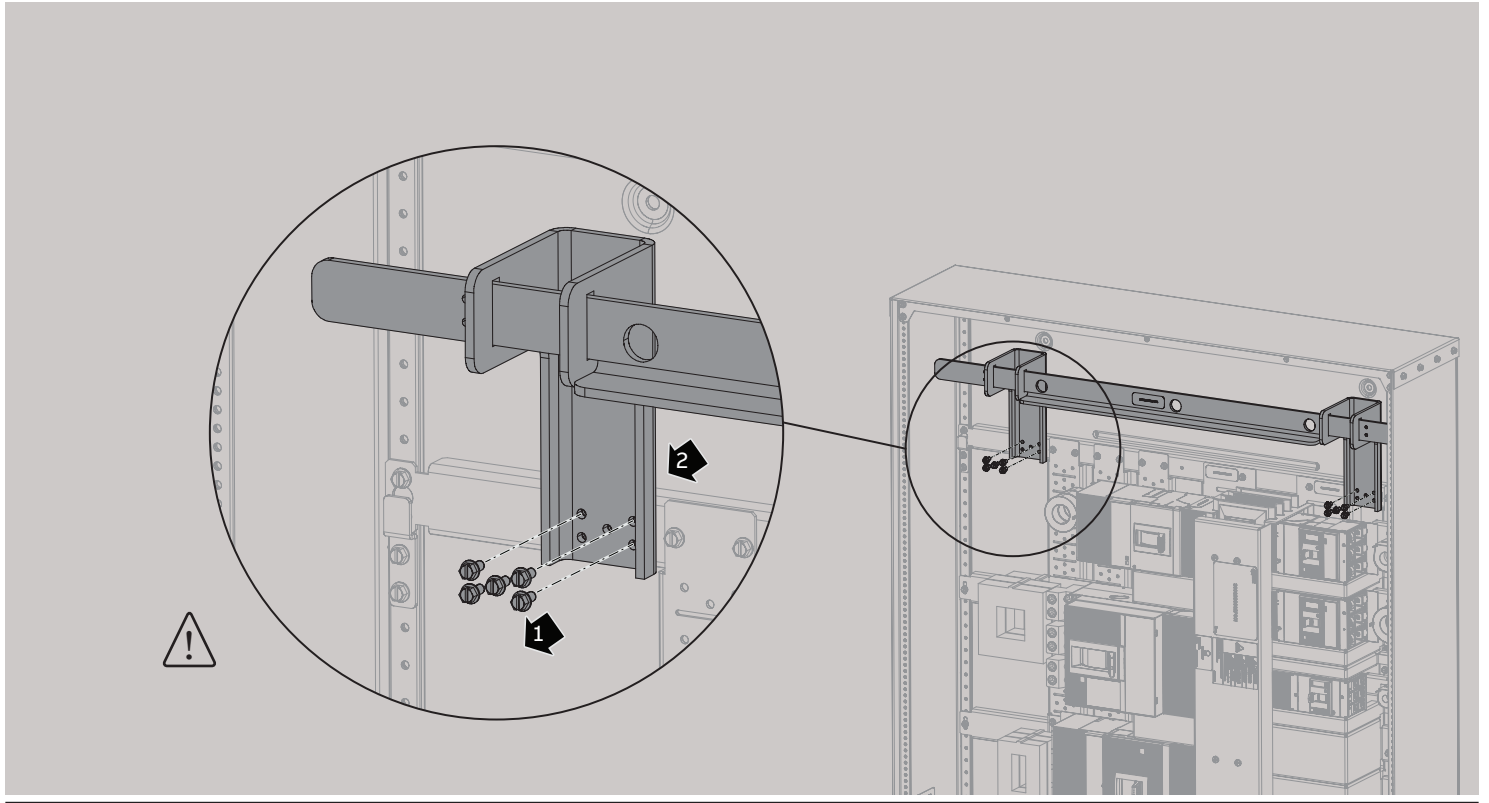
3



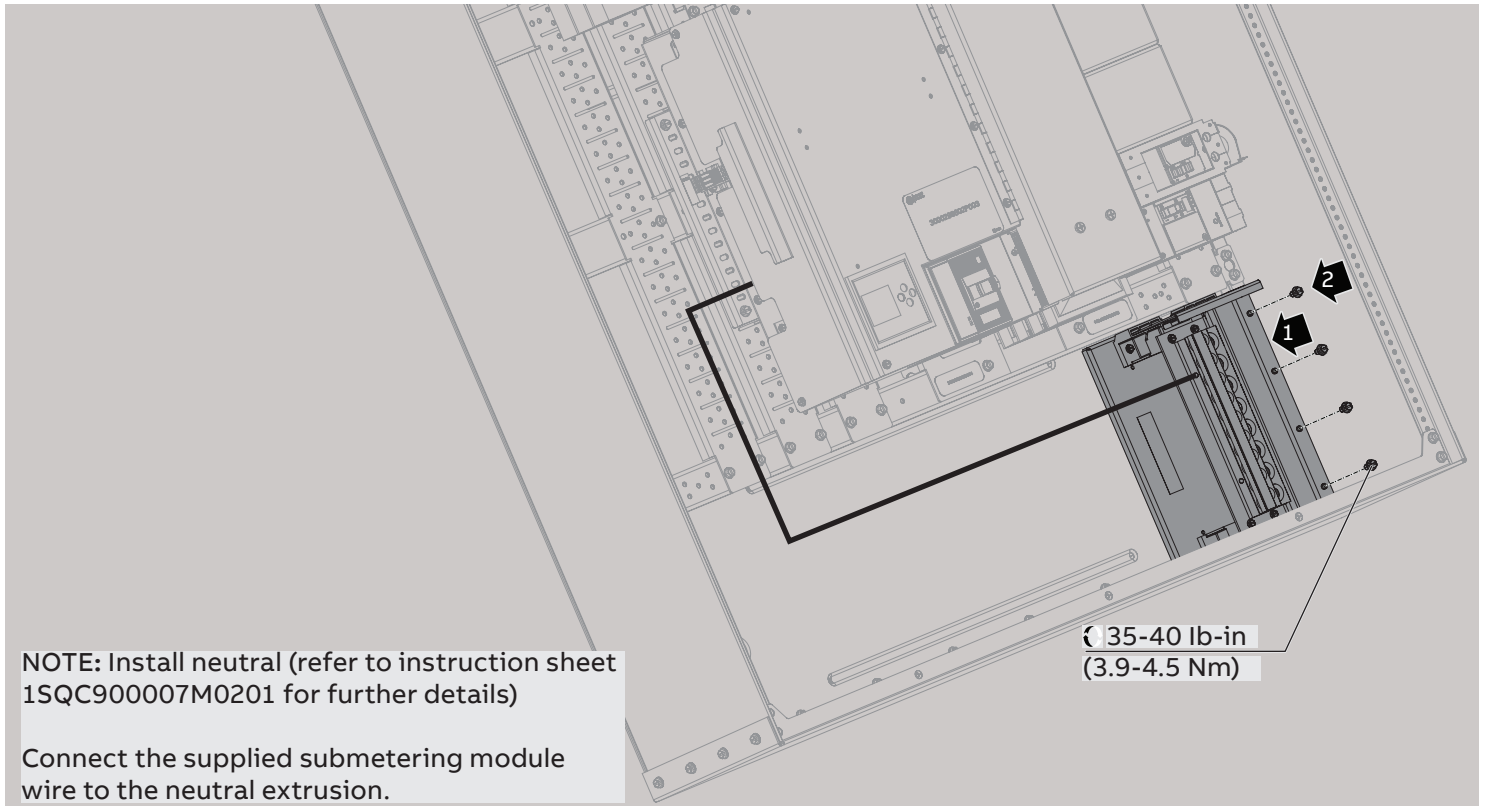
4

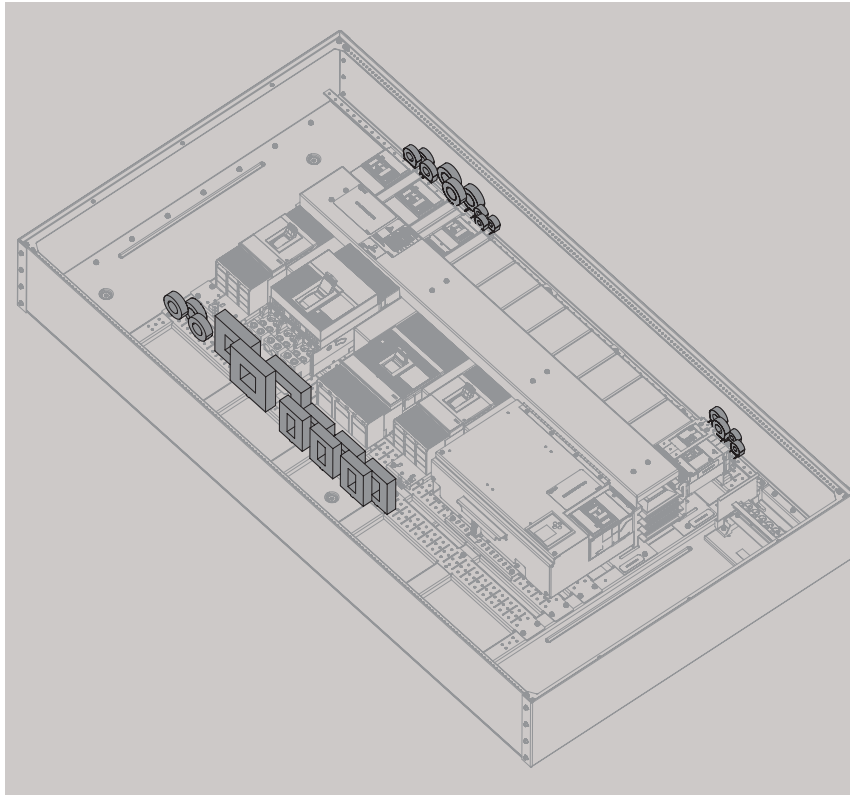


Lifting bracket assembly removal

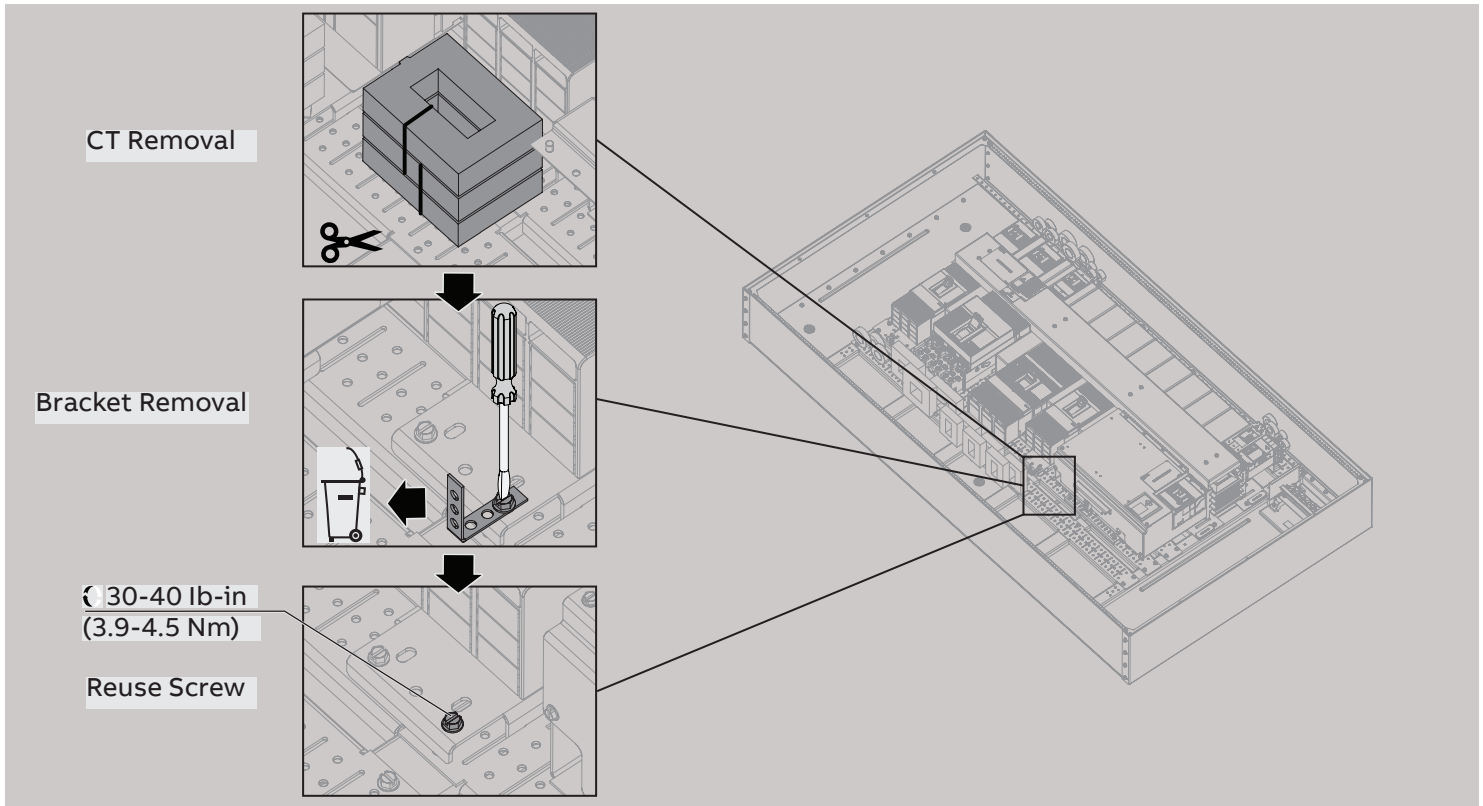


Neutral installation (when present)



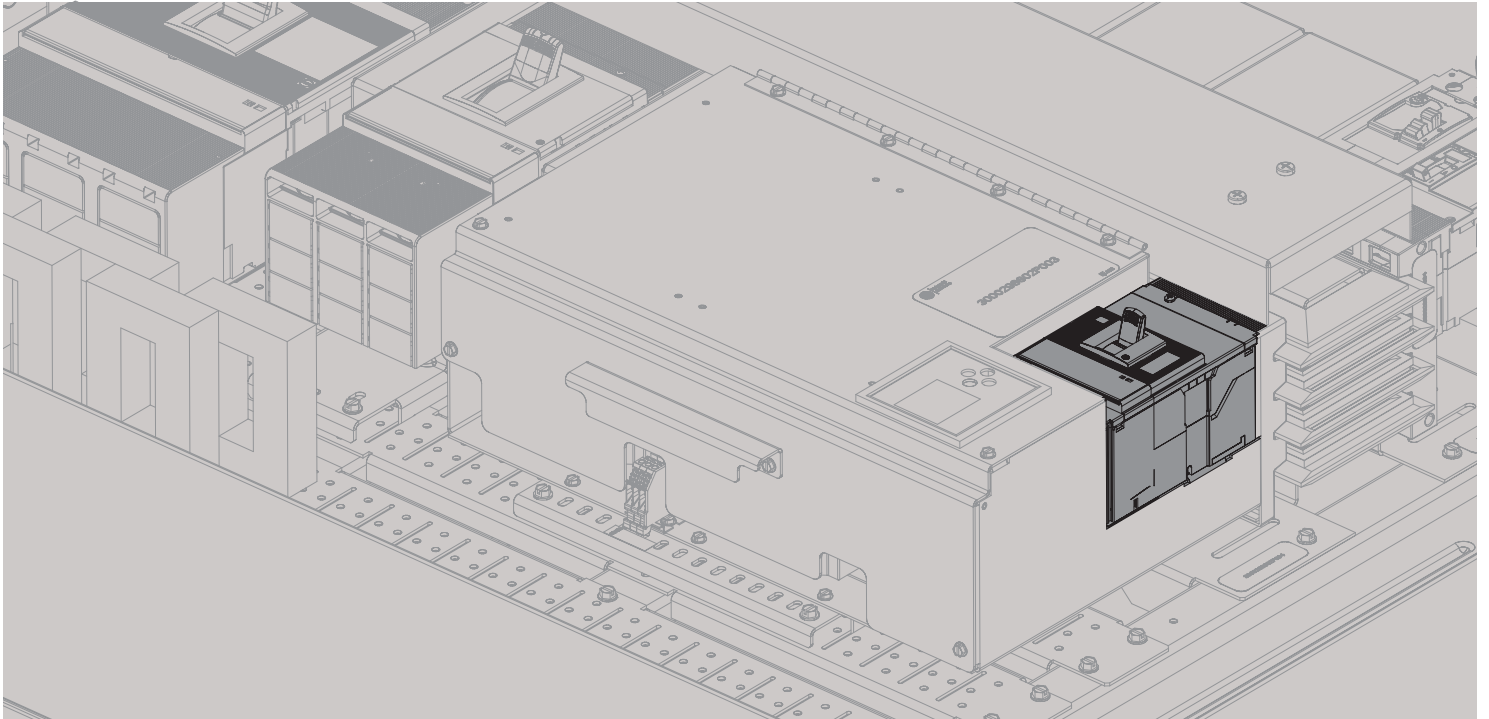


NOTE: CTs and their wires come pre-routed to the back of the breaker they are intended to be used on. The RGM4500Q meter's ports are configured to a specific CT ratio based on your panel order and cannot be changed from the local display. Remove the CTs from bracket when ready to land wires at a given breaker and note the phase labeling. Orient the CT properly for the direction of current flow as indicated on the CT. CTs are UL2808 listed (XOBA) and are permitted to secure around wires anywhere in the panel and are not required to be on a bracket. CTs can be secured via zip tie(s) to the wires. Pass the breaker wires through the CT for the correct phase. CTs shall be installed so that electrical spacings are not reduced below the spacing requirements in UL67. Follow all applicable local and national guidelines when field installing XOBA rated CTs and landing wires.



9-a

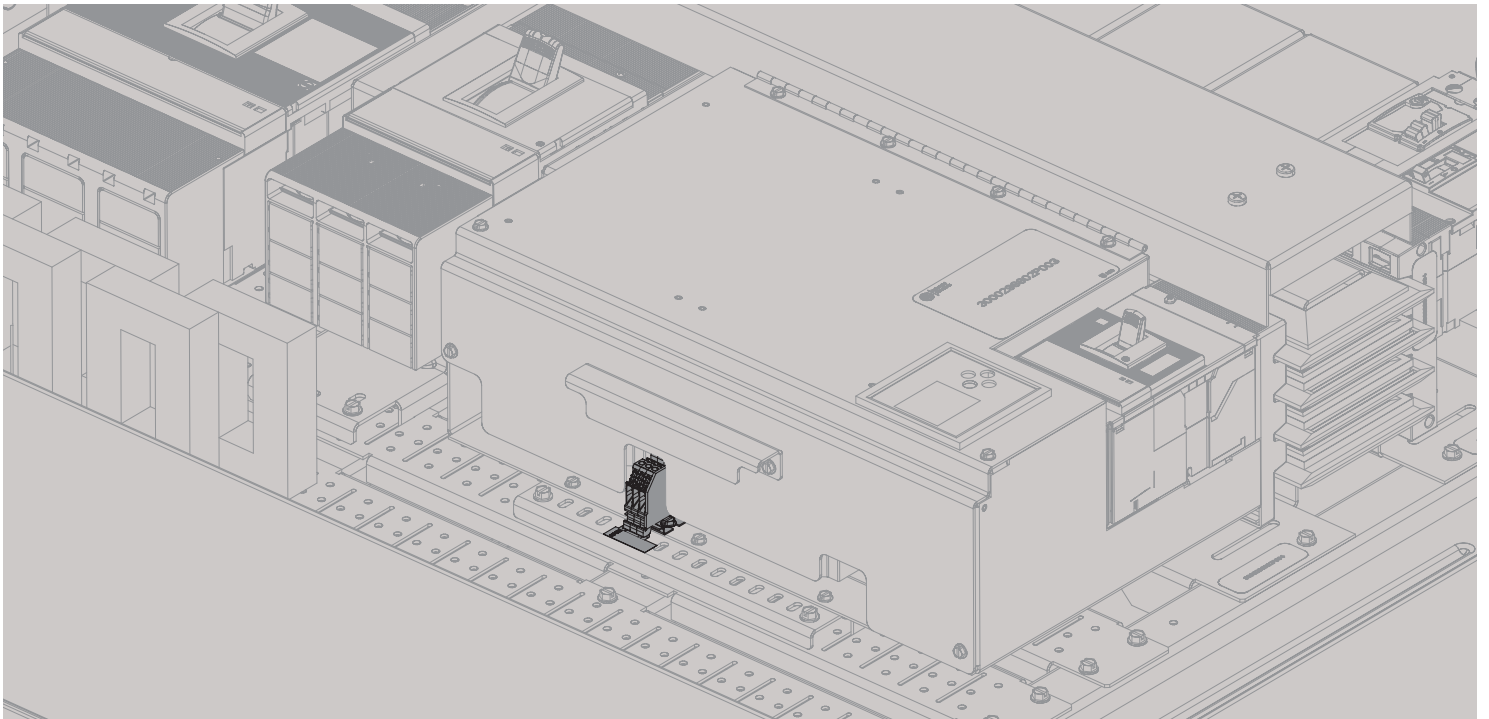
Circuit breaker



The circuit breaker is used to turn the meter module off and on and to provide overcurrent and short circuit protection to the device.

9-b

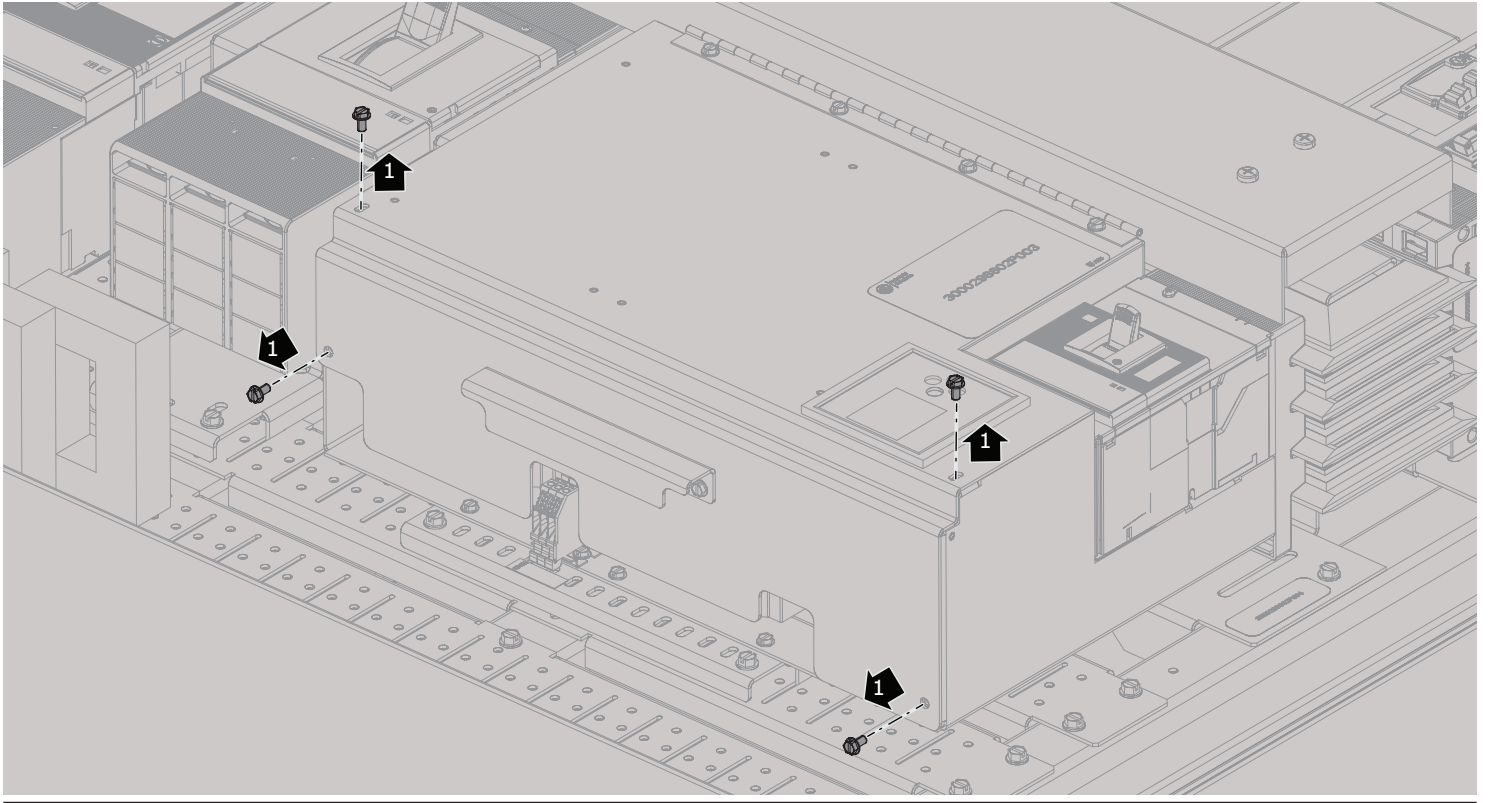
Terminal block



The terminal blocks can accept wiring from 10AWG to 26AWG with recommended torque of 4.4 in-lb. The communications protocol is single pair modbus RS485 where a signal ground should be connected.

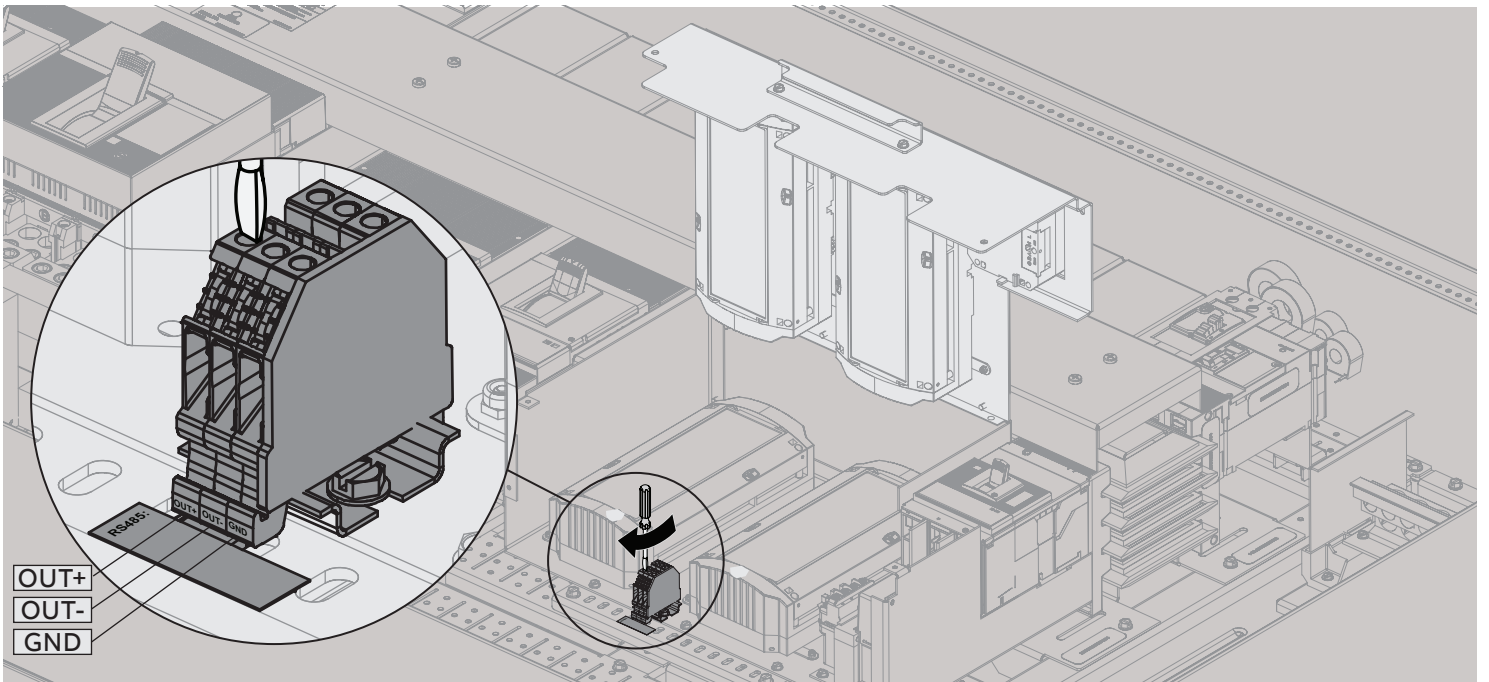
10-a

Lid screws removal



10-b

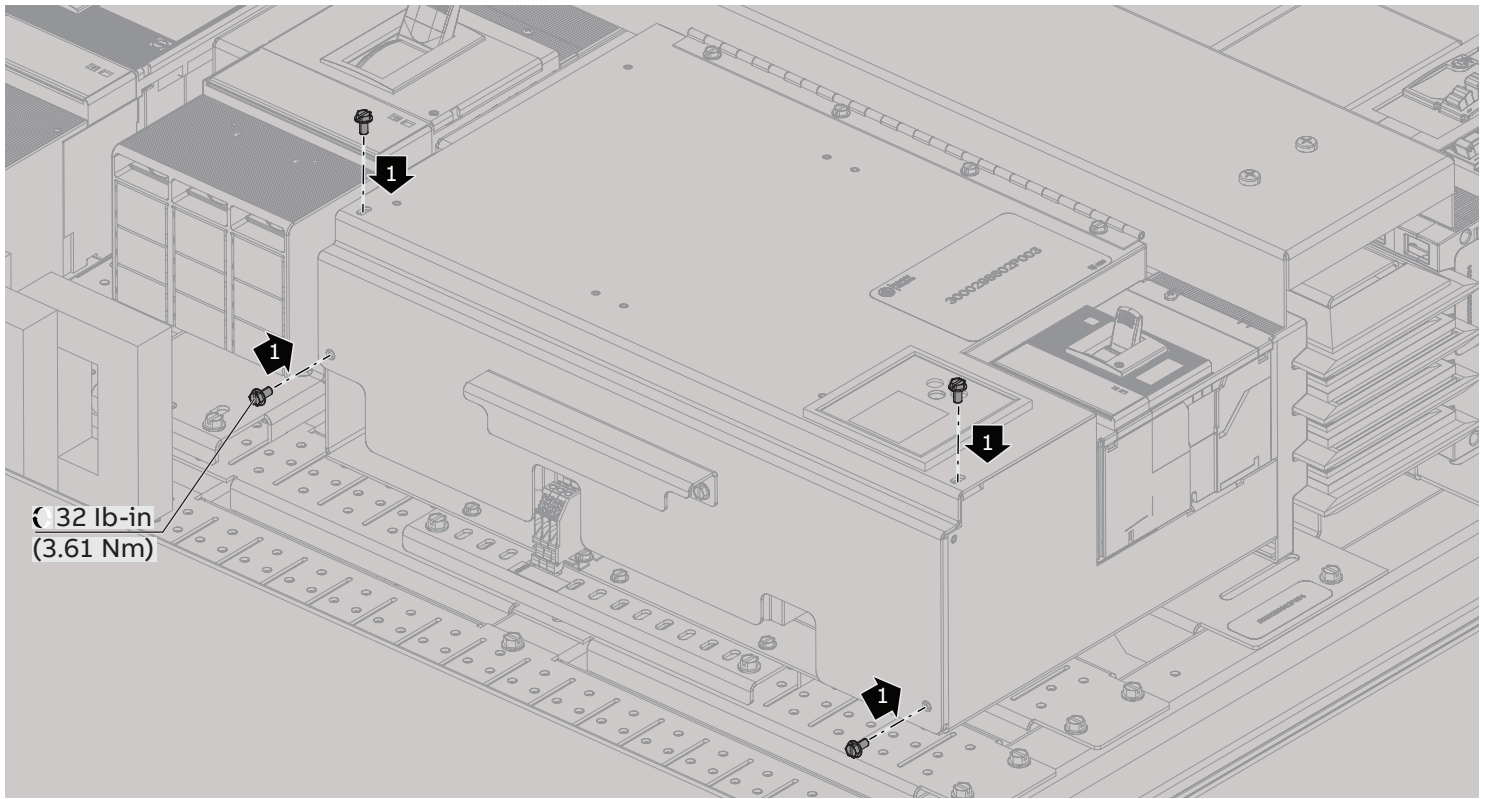
Open metering module for communication wiring access



WARNING: Hazardous voltages may be present on the secondary connection of any CT that is left open or disconnected to the meter when primary current is flowing, regardless of meter power state. Take extra precaution to ensure that there is no current flowing through any CT's primary opening during any work internal to the module especially if a change to a CT Secondary connection is needed.

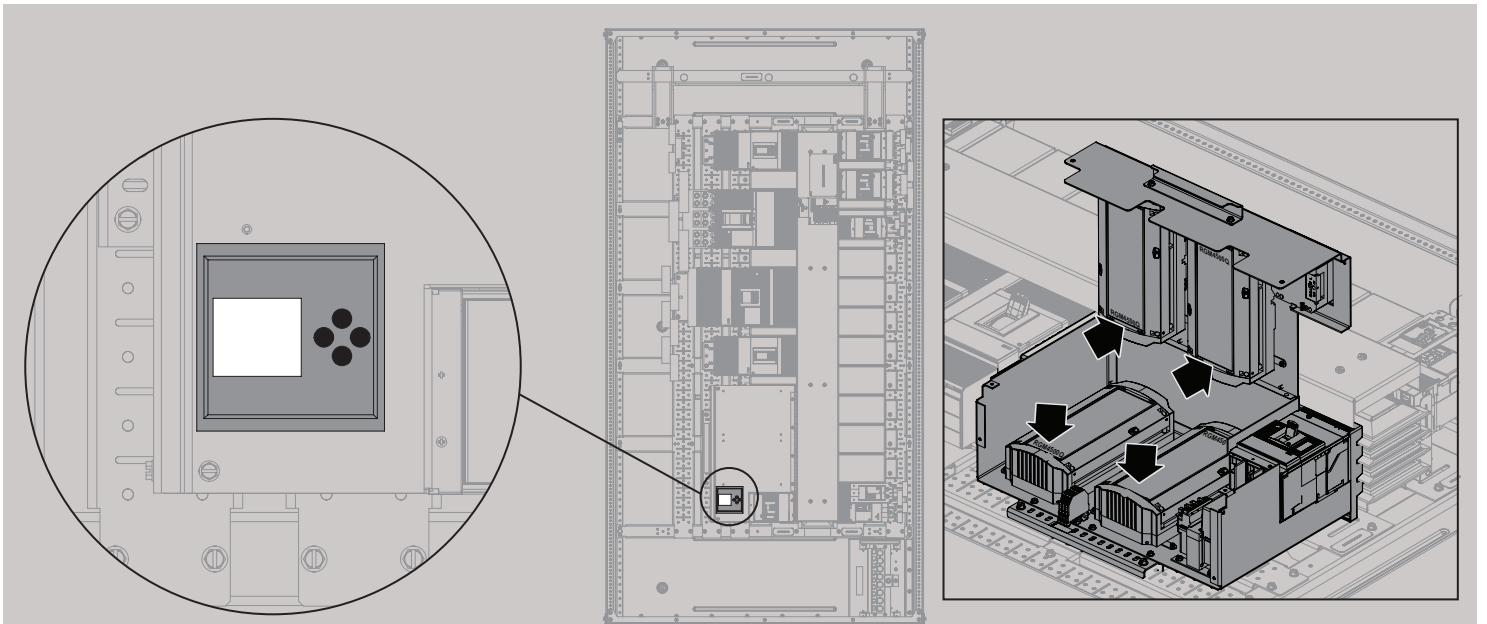
10-c

Lid screws installation

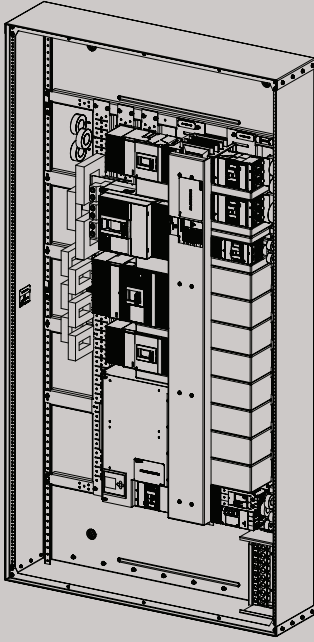


11

Module display



The display, or D-Unit, can be used to view real-time values for the circuits which are metered by the RGM4500Q. 1 to 4 internal meters are used to accommodate the entirety of the metered circuits in a panel. Identification of the internal meters, and therefore circuits, on the display is done by their serial numbers which can be found, internal to the RGM4500Q module, on the top of each internal meter. Refer to CT labeling and factory supplied job specific circuit ID sheet for additional information.



NOTE: For further panel assembly, refer to 1SQC900003M0201

For additional information on modbus registers and setup details, please visit www.quadlogic.com and refer to qbrick 4 and qbrick 6 manual and wiring diagram documents. 4500Q-3P submetering modules use qbrick 4 and 4500Q-2P submetering modules use qbrick 6.

Disclaimer : These instructions do not cover all details or variations in equipment nor do they provide for every possible contingency that may be met in connection with installation, operation or maintenance. Should further information be desired or should particular problems arise that are not covered sufficiently for the purchaser's purposes, the matter should be referred to the ABB Company.

ABB Inc.
305 Gregson Drive
Cary, NC 27511

abb.com

We reserve the right to make technical changes or modify the contents of this document without prior notice. With regard to purchase orders, the agreed particulars shall prevail. ABB AG does not accept any responsibility whatsoever for potential errors or possible lack of information in this document.

We reserve all rights in this document and in the subject matter and illustrations contained therein. Any reproduction, disclosure to third parties or utilization of its contents – in whole or in parts – is forbidden without prior written consent of ABB AG. Copyright © 2019 ABB
All rights reserved